

DELFOR D97A

EDIFACT / D97A / DELFOR : Delivery Schedule Message

Version: March 2019 Final

Author:	Cummins Electronic Commerce Support
Company:	Cummins Inc.
Publication:	4/4/2019
Trading Partner:	Cummins Suppliers

Table of Contents

DELFOR	Delivery schedule message	1
	Branching Diagram - 1	6
	Branching Diagram - 2	7
	Branching Diagram - 3	8
UNB	INTERCHANGE HEADER	9
UNH	MESSAGE HEADER	12
BGM	BEGINNING OF MESSAGE	14
DTM	DATE/TIME/PERIOD	16
Group 2	Segment Group 2	17
NAD	NAME AND ADDRESS	18
Group 6	Segment Group 6	20
GIS	GENERAL INDICATOR	21
Group 7	Segment Group 7	22
NAD	NAME AND ADDRESS	23
Group 12	Segment Group 12	25
LIN	LINE ITEM	26
IMD	ITEM DESCRIPTION	27
LOC	PLACE/LOCATION IDENTIFICATION	28
Group 13	Segment Group 13	29
RFF	REFERENCE	30
Group 15	Segment Group 15	32
QTY	QUANTITY	33
DTM	DATE/TIME/PERIOD	35
Group 16	Segment Group 16	37
RFF	REFERENCE	38
Group 17	Segment Group 17	39
SCC	SCHEDULING CONDITIONS	40
Group 18	Segment Group 18	42
QTY	QUANTITY	43
DTM	DATE/TIME/PERIOD	44
Group 19	Segment Group 19	45
RFF	REFERENCE	46
UNT	MESSAGE TRAILER	47
UNZ	INTERCHANGE TRAILER	48

DELFOR Delivery schedule message

Message Status=2

Definition: WARNING! This version of the DELFOR is not upward compatible with versions prior to D96B. DELFOR is a message which is sent from a party who is planning the use or consumption of products to a party who has to plan for the supply of the products. The message gives the requirements regarding details for short term delivery and/or medium to long scheduling for products. The scheduling can be used to authorize manufacturing and or the provision of materials. This is based on the terms and conditions defined in a purchase order or contract.

Cummins Note:

Cummins utilizes the DELFOR (Delivery Schedule) message to communicate the Immediate (past due), Firm, and Forecasted/Planned material demand to the supplier.

Example EDI:

****NOTE**:** Bolded segments/elements are Cummins mandatory. Due to the bold formatting, please be aware that for some segments word wrapping has occurred.

```

UNB+UNOA:1+SENDER ID:SENDER QUAL+RECEIVER ID:RECEIVER
QUAL+DATE:TIME+1++DELFOR
UNH+2+DELFOR:D:97A:UN
BGM+241+DELIVERY SCHEDULE NUMBER+5
DTM+137:MESSAGE DATE:102
DTM+158:HORIZON START DATE:102
DTM+159:HORIZON END DATE:102
NAD+SU+SUPPLIER CODE::92++CUMMINS SUPPLIER+STREET 1:STREET 2:STREET3+CITY
NAME+STATE+ZIP CODE+COUNTRY
GIS+37
NAD+ST+SHIP TO CODE::16++CUMMINS SHIP-TO PLANT+STREET 1:STREET
2:STREET3+CITY NAME+STATE+ZIP CODE+COUNTRY
LIN+1++PART NUMBER 1:IN
IMD+F+++:::ITEM DESCRIPTION
LOC+7+CUMMINS RECEIVING LOCATION NUMBER
RFF+ON:PURCHASE ORDER
RFF+AEQ:DRAWING REVISION NUMBER
RFF+AAL:DRAWING NUMBER 1
RFF+AAL:DRAWING NUMBER 2
RFF+AAL:DRAWING NUMBER 3
QTY+48:LAST RECEIPT QUANTITY:EA
DTM+50:LAST RECEIPT DATE:102
RFF+SI:LAST RECEIPT ASN NUMBER
QTY+3:CUMULATIVE QUANTITY:EA

```

DTM+51:CUMULATIVE START DATE:102
DTM+52:CUMULATIVE END DATE:102
SCC+10++D
QTY+1:IMMEDIATE QUANTITY
DTM+2:IMMEDIATE DUE DATE:102
SCC+1++D
QTY+1:FIRM QUANTITY
DTM+2:FIRM DUE DATE:102
RFF+RE:RELEASE NUMBER
QTY+1:FIRM QUANTITY
DTM+2:FIRM DUE DATE:102
RFF+RE:RELEASE NUMBER
QTY+1:FIRM QUANTITY
DTM+2:FIRM DUE DATE:102
RFF+RE:RELEASE NUMBER
SCC+4++D
QTY+1:FORECASTED QUANTITY
DTM+2:FORECASTED DATE:102
QTY+1:FORECASTED QUANTITY
DTM+2:FORECASTED DATE:102
QTY+1:FORECASTED QUANTITY
DTM+2:FORECASTED DATE:102
LIN+2++PART NUMBER 2:IN
IMD+F++:::ITEM DESCRIPTION
LOC+7+CUMMINS RECEIVING LOCATION NUMBER
RFF+ON:PURCHASE ORDER
RFF+AEQ:DRAWING REVISION NUMBER
RFF+AAL:DRAWING NUMBER 1
QTY+48:LAST RECEIPT QUANTITY:EA
DTM+50:LAST RECEIPT DATE:102
RFF+SI:LAST RECEIPT ASN NUMBER
QTY+3:CUMULATIVE QUANTITY:EA
DTM+51:CUMULATIVE START DATE:102
DTM+52:CUMULATIVE END DATE:102
SCC+1++D
QTY+1:FIRM QUANTITY
DTM+2:FIRM DUE DATE:102
RFF+RE:RELEASE NUMBER
LIN+3++PART NUMBER 3:IN
IMD+F++:::ITEM DESCRIPTION

LOC+7+CUMMINS RECEIVING LOCATION NUMBER
 RFF+ON: PURCHASE ORDER
 RFF+AEQ: DRAWING REVISION NUMBER
 RFF+AAL: DRAWING NUMBER 1
 QTY+48: LAST RECEIPT QUANTITY: EA
 DTM+50: LAST RECEIPT DATE: 102
 RFF+SI: LAST RECEIPT ASN NUMBER
 QTY+3: CUMULATIVE QUANTITY: EA
 DTM+51: CUMULATIVE START DATE: 102
 DTM+52: CUMULATIVE END DATE: 102
 SCC+1++D
 QTY+1: FIRM QUANTITY
 DTM+2: FIRM DUE DATE: 102
 RFF+RE: RELEASE NUMBER
 QTY+1: FIRM QUANTITY
 DTM+2: FIRM DUE DATE: 102
 RFF+RE: RELEASE NUMBER
 SCC+4++D
 QTY+1: FORECASTED QUANTITY
 DTM+2: FORECASTED DATE: 102
 QTY+1: FORECASTED QUANTITY
 DTM+2: FORECASTED DATE: 102
 QTY+1: FORECASTED QUANTITY
 DTM+2: FORECASTED DATE: 102
 UNT+87+2
 UNZ+1+1

Heading:

<u>Pos</u>	<u>Tag</u>	<u>Segment Name</u>	<u>Status</u>	<u>Rep</u>	<u>Notes</u>	<u>Usage</u>
	UNB	INTERCHANGE HEADER	M	1		Cummins Mandatory
0010	UNH	MESSAGE HEADER	M	1	N1/0010	Cummins Mandatory
0020	BGM	BEGINNING OF MESSAGE	M	1	N1/0020	Cummins Mandatory
0030	DTM	DATE/TIME/PERIOD	M	10	N1/0030	Cummins Mandatory
0080		<u>Segment Group 2</u>	<u>C</u>	<u>99</u>	<u>N1/0080</u>	<u>Cummins Mandatory</u>
0090	NAD	NAME AND ADDRESS	M	1	N1/0090	Cummins Mandatory

Detail:

<u>Pos</u>	<u>Tag</u>	<u>Segment Name</u>	<u>Status</u>	<u>Rep</u>	<u>Notes</u>	<u>Usage</u>
0190		<u>Segment Group 6</u>	<u>C</u>	<u>9999</u>	<u>N2/0190</u>	<u>Cummins Mandatory</u>
0200	GIS	GENERAL INDICATOR	M	1	N2/0200	Cummins Mandatory
0210		<u>Segment Group 7</u>	<u>C</u>	<u>1</u>	<u>N2/0210</u>	<u>Cummins Mandatory</u>
0220	NAD	NAME AND ADDRESS	M	1	N2/0220	Cummins Mandatory
0370		<u>Segment Group 12</u>	<u>C</u>	<u>9999</u>	<u>N2/0370</u>	<u>Cummins Mandatory</u>
0380	LIN	LINE ITEM	M	1	N2/0380	Cummins Mandatory
0400	IMD	ITEM DESCRIPTION	C	10	N2/0400	Cummins Mandatory
0450	LOC	PLACE/LOCATION IDENTIFICATION	C	999	N2/0450	Cummins Mandatory
0480		<u>Segment Group 13</u>	<u>C</u>	<u>10</u>	<u>N2/0480</u>	<u>Cummins Mandatory</u>
0490	RFF	REFERENCE	M	1	N2/0490	Cummins Mandatory
0540		<u>Segment Group 15</u>	<u>C</u>	<u>10</u>	<u>N2/0540</u>	<u>Cummins Mandatory</u>
0550	QTY	QUANTITY	M	1	N2/0550	Cummins Mandatory
0560	DTM	DATE/TIME/PERIOD	C	2	N2/0560	Cummins Mandatory
0570		<u>Segment Group 16</u>	<u>C</u>	<u>10</u>	<u>N2/0570</u>	<u>Cummins Optional</u>
0580	RFF	REFERENCE	M	1	N2/0580	Cummins Mandatory
0600		<u>Segment Group 17</u>	<u>C</u>	<u>999</u>	<u>N2/0600</u>	<u>Cummins Mandatory</u>
0610	SCC	SCHEDULING CONDITIONS	M	1	N2/0610	Cummins Mandatory
0620		<u>Segment Group 18</u>	<u>C</u>	<u>999</u>	<u>N2/0620</u>	<u>Cummins Mandatory</u>
0630	QTY	QUANTITY	M	1	N2/0630	Cummins Mandatory
0640	DTM	DATE/TIME/PERIOD	C	2	N2/0640	Cummins Mandatory
0650		<u>Segment Group 19</u>	<u>C</u>	<u>10</u>	<u>N2/0650</u>	<u>Cummins Optional</u>
0660	RFF	REFERENCE	M	1	N2/0660	Cummins Mandatory

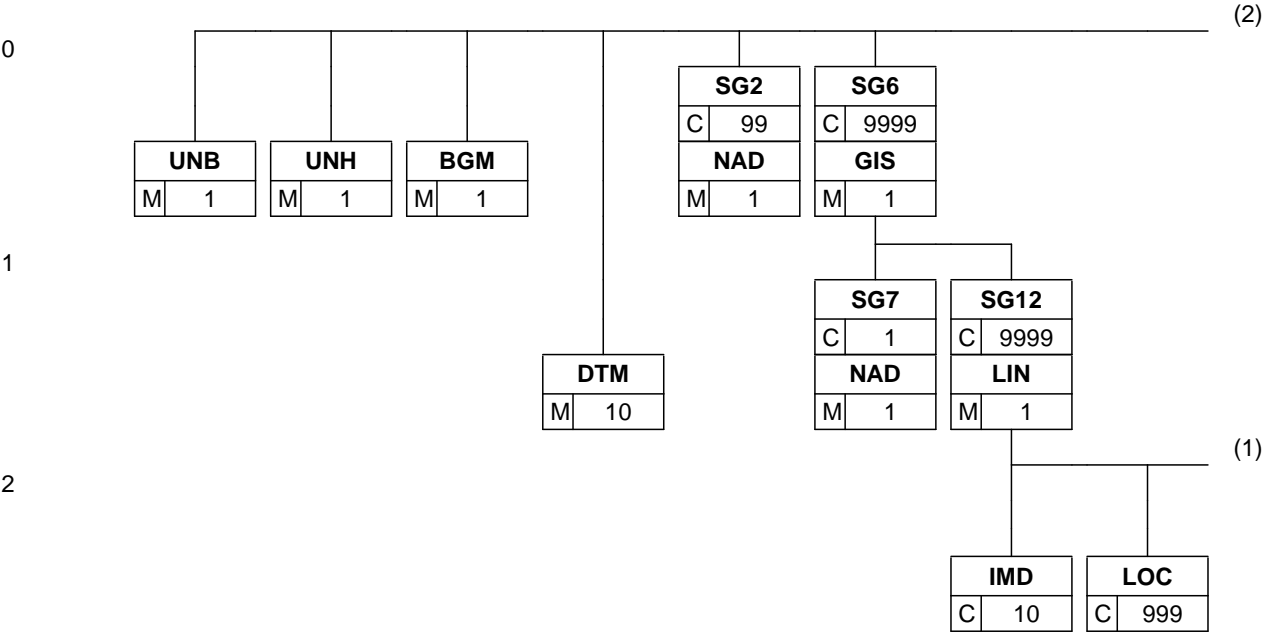
Summary:

<u>Pos</u>	<u>Tag</u>	<u>Segment Name</u>	<u>Status</u>	<u>Rep</u>	<u>Notes</u>	<u>Usage</u>
1030	UNT	MESSAGE TRAILER	M	1	N3/1030	Cummins Mandatory
	UNZ	INTERCHANGE TRAILER	M	1		Cummins

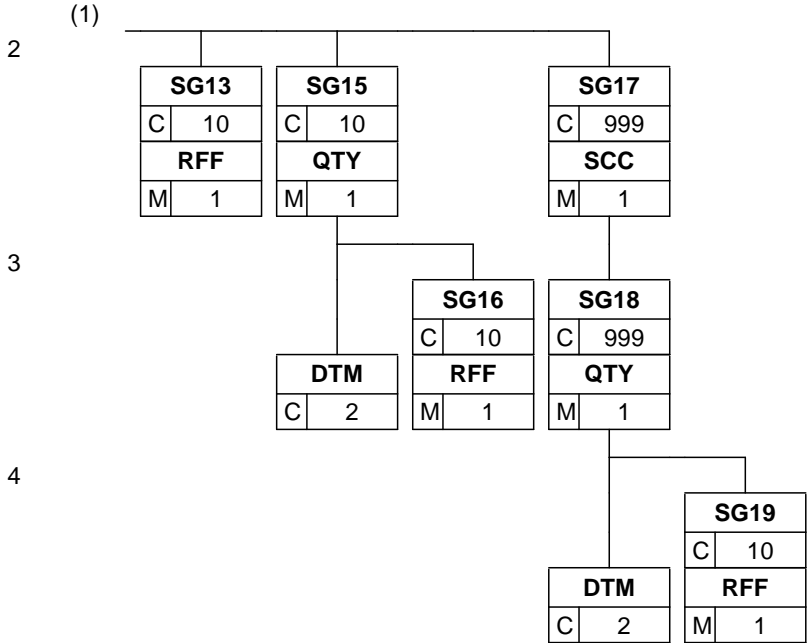
<u>Pos</u>	<u>Tag</u>	<u>Segment Name</u>	<u>Status</u>	<u>Rep</u>	<u>Notes</u>	<u>Usage</u>
------------	------------	---------------------	---------------	------------	--------------	--------------

Mandatory

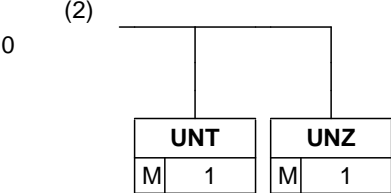
Branching Diagram: DELFOR(Delivery schedule message)



Branching Diagram: DELFOR(Delivery schedule message)



Branching Diagram: DELFOR(Delivery schedule message)



UNB INTERCHANGE HEADER

Pos:	Max: 1
Mandatory	
Group: N/A	Elements: 7

User Option (Usage): Cummins Mandatory

Example EDI:

Example EDI:

UNB+UNOA:1+SENDERID:1+RECEIVERID:1+170501:1439+1++DELFOR

Example EDI with TEST flag:

UNB+UNOA:1+SENDERID:1+RECEIVERID:1+170501:1439+1++DELFOR++++1

Element Summary:

<u>Ref</u>	<u>Tag</u>	<u>Element Name</u>	<u>Status</u>	<u>Type</u>	<u>Min/Max</u>	<u>Usage</u>
UNB010	S001	SYNTAX IDENTIFIER	M	Comp		Cummins Mandatory
Description: Identification of the agency controlling the syntax and indication of syntax level.						
UNB010-010	0001	Syntax identifier	M	a	4/4	Cummins Mandatory
Description: Coded identification of the agency controlling a syntax and syntax level used in an interchange.						
CodeList Summary (Total Codes: 6, Included: 1)						
Code Name						
UNOA UN/ECE level A						
Description: As defined in the basic code table of ISO 646 with the exceptions of lower case letters, alternative graphic character allocations and national or application-oriented graphic character allocations.						
UNB010-020	0002	Syntax version number	M	n	1/1	Cummins Mandatory
Description: Version number of the syntax identified in the syntax identifier (0001).						
CodeList Summary (Total Codes: 3, Included: 1)						
Code Name						
1 Version 1						
Description: ISO 9735:1988.						
UNB020	S002	INTERCHANGE SENDER	M	Comp		Cummins Mandatory
Description: Identification of the sender of the interchange.						
UNB020-010	0004	Sender identification	M	an	1/35	Cummins Mandatory
Description: Name or coded representation of the sender of a data interchange.						
Cummins Note: Cummins EDI sender/receiver ID.						

<u>Ref</u>	<u>Tag</u>	<u>Element Name</u>	<u>Status</u>	<u>Type</u>	<u>Min/Max</u>	<u>Usage</u>
UNB020-020	0007	Partner identification code qualifier	C	an	1/4	Cummins Mandatory

Description: Qualifier referring to the source of codes for the identifiers of interchanging partners.

Cummins Note: Cummins EDI sender/receiver ID qualifier.

CodeList Summary (Total Codes: 45, Included: 3)

Code Name

- 1 DUNS (Data Universal Numbering System)
Description: Partner identification code assigned by Dun & Bradstreet.
- 12 Telephone number
Description: Partner identification code corresponds to the partner telephone number.
- ZZ Mutually defined

UNB030	S003	INTERCHANGE RECIPIENT	M	Comp		Cummins Mandatory
--------	------	------------------------------	---	------	--	-------------------

Description: Identification of the recipient of the interchange.

UNB030-010	0010	Recipient identification	M	an	1/35	Cummins Mandatory
------------	------	---------------------------------	---	----	------	-------------------

Description: Name or coded representation of the recipient of a data interchange.

Cummins Note: Supplier EDI sender/receiver ID.

UNB030-020	0007	Partner identification code qualifier	C	an	1/4	Cummins Mandatory
------------	------	--	---	----	-----	-------------------

Description: Qualifier referring to the source of codes for the identifiers of interchanging partners.

Cummins Note: Supplier EDI sender/receiver ID qualifier. These are the most common qualifiers used by the Cummins supply base. If you use another qualifier that is not listed, we require notification.

CodeList Summary (Total Codes: 46, Included: 4)

Code Name

- 1 DUNS (Data Universal Numbering System)
Description: Partner identification code assigned by Dun & Bradstreet.
- 01 DUNS (alternate code)
- 12 Telephone number
Description: Partner identification code corresponds to the partner telephone number.
- ZZ Mutually defined

UNB040	S004	DATE/TIME OF PREPARATION	M	Comp		Cummins Mandatory
--------	------	---------------------------------	---	------	--	-------------------

Description: Date/time of preparation of the interchange.

UNB040-010	0017	Date of preparation	M	n	6/6	Cummins Mandatory
------------	------	----------------------------	---	---	-----	-------------------

Description: Local date when an interchange or a functional group was prepared.

<u>Ref</u>	<u>Tag</u>	<u>Element Name</u>	<u>Status</u>	<u>Type</u>	<u>Min/Max</u>	<u>Usage</u>
		Cummins Note: Date format is YYMMDD.				
UNB040-020	0019	Time of preparation	M	n	4/4	Cummins Mandatory
		Description: Local time of day when an interchange or a functional group was prepared.				
		Cummins Note: Time format is HHMM.				
UNB050	0020	Interchange control reference	M	an	1/14	Cummins Mandatory
		Description: Unique reference assigned by the sender to an interchange.				
		Cummins Note: This will be the same interchange control reference number as in the UNZ segment.				
UNB070	0026	Application reference	C	an	1/14	Cummins Optional
		Description: Identification of the application area assigned by the sender, to which the messages in the interchange relate e.g. the message identifier if all the messages in the interchange are of the same type.				
UNB110	0035	Test indicator	C	n	1/1	Cummins Optional
		Description: Indication that the interchange is a test.				
		Cummins Note: A test indicator will only be included upon request.				
		CodeList Summary (Total Codes: 1, Included: 1)				
		Code	Name			
		1	Interchange is a test			
			Description: Indicates that the interchange is a test.			

UNH MESSAGE HEADER

Pos: 0010	Max: 1
Mandatory	
Group: N/A	Elements: 2

User Option (Usage): Cummins Mandatory

Example EDI:

UNH+1+DELFOR:D:97A:UN

Element Summary:

<u>Ref</u>	<u>Tag</u>	<u>Element Name</u>	<u>Status</u>	<u>Type</u>	<u>Min/Max</u>	<u>Usage</u>
UNH010	0062	Message reference number	M	an	1/14	Cummins Mandatory

Description: Unique message reference assigned by the sender.

Cummins Note: This will be the same message reference number as in the UNT segment.

UNH020	S009	MESSAGE IDENTIFIER	M	Comp		Cummins Mandatory
--------	------	--------------------	---	------	--	-------------------

Description: Identification of the type, version etc. of the message being interchanged.

UNH020-010	0065	Message type identifier	M	an	1/6	Cummins Mandatory
------------	------	-------------------------	---	----	-----	-------------------

Description: Code identifying a type of message and assigned by its controlling agency.

CodeList Summary (Total Codes: 145, Included: 1)

<u>Code</u>	<u>Name</u>
DELFOR	Delivery schedule message

Description: A code to identify the delivery schedule message.

UNH020-020	0052	Message type version number	M	an	1/3	Cummins Mandatory
------------	------	-----------------------------	---	----	-----	-------------------

Description: Version number of a message type.

CodeList Summary (Total Codes: 7, Included: 1)

<u>Code</u>	<u>Name</u>
D	Draft version

Description: Message approved and issued as a draft message (Valid for directories published after March 1993 and prior to March 1997).
 Message approved as a standard message (Valid for directories published after March 1997).

UNH020-030	0054	Message type release number	M	an	1/3	Cummins Mandatory
------------	------	-----------------------------	---	----	-----	-------------------

Description: Release number within the current message type version number (0052).

CodeList Summary (Total Codes: 15, Included: 1)

<u>Code</u>	<u>Name</u>
97A	Release 1997 - A

Description: Message approved and issued in the first 1997 release of the

Code Name

UNTDID (United Nations Trade Data Interchange Directory).

UNH020-040 0051 **Controlling agency** M an 1/2 Cummins
Mandatory

Description: Code identifying the agency controlling the specification, maintenance and publication of the message type.

CodeList Summary (Total Codes: 20, Included: 1)

Code Name

UN UN/ECE/TRADE/WP.4, United Nations Standard Messages (UNSM)

Description: UN Economic Commission for Europe (UN/ECE), Committee on the development of trade (TRADE), Working Party on facilitation of international trade procedures (WP.4).

BGM BEGINNING OF MESSAGE

Pos: 0020	Max: 1
Mandatory	
Group: N/A	Elements: 3

User Option (Usage): Cummins Mandatory

Cummins Note:

The BGM segment will contain the delivery schedule number in the BGM020-010 element.

The majority of our Cummins plants send a Full Replace schedule, which is indicated by a 5 in the BGM030 element. A Full Replace schedule will include all parts with Immediate (past due), Firm, and Forecasted/Planned demand. Parts with no demand will not appear on the schedule.

Some of our Cummins plants also send a Change schedule, which is indicated by a 4 in the BGM030 element. A Change schedule will include only those parts with demand that have changed since the previous Full Replace schedule. Parts with no demand will not appear on the schedule.

Example EDI:

Full Replace:

BGM+241+20170501+5

Change schedule:

BGM+241+20170501+4

Element Summary:

Ref	Tag	Element Name	Status	Type	Min/Max	Usage
BGM010	C002	DOCUMENT/MESSAGE NAME	C	Comp		Cummins Mandatory
Description: Identification of a type of document/message by code or name. Code preferred.						
BGM010-010	1001	Document/message name, coded	C	an	1/3	Cummins Mandatory
Description: Document/message identifier expressed in code.						
CodeList Summary (Total Codes: 424, Included: 1)						
Code Name						
241 Delivery schedule						
Description: Usage of DELFOR-message.						
BGM020	C106	DOCUMENT/MESSAGE IDENTIFICATION	C	Comp		Cummins Mandatory
Description: Identification of a document/message by its number and eventually its version or revision.						
BGM020-010	1004	Document/message number	C	an	1/35	Cummins Mandatory
Description: Reference number assigned to the document/message by the issuer.						
Cummins Note: Delivery schedule number						

<u>Ref</u>	<u>Tag</u>	<u>Element Name</u>	<u>Status</u>	<u>Type</u>	<u>Min/Max</u>	<u>Usage</u>
BGM030	1225	Message function, coded	C	an	1/3	Cummins Mandatory

Description: Code indicating the function of the message.

CodeList Summary (Total Codes: 55, Included: 2)

Code Name

4 Change

Description: Message containing items (e.g. line items, goods items, Customs items, equipment items) to be changed in a previously sent message.

5 Replace

Description: Message replacing a previous message.

DTM DATE/TIME/PERIOD

Pos: 0030	Max: 10
Mandatory	
Group: N/A	Elements: 1

User Option (Usage): Cummins Mandatory

Example EDI:

```
DTM+137:20170501:102
DTM+158:20170101:102
DTM+159:20171130:102
```

Element Summary:

Ref	Tag	Element Name	Status	Type	Min/Max	Usage
DTM010	C507	DATE/TIME/PERIOD	M	Comp		Cummins Mandatory

Description: Date and/or time, or period relevant to the specified date/time/period type.

DTM010-010	2005	Date/time/period qualifier	M	an	1/3	Cummins Mandatory
------------	------	----------------------------	---	----	-----	-------------------

Description: Code giving specific meaning to a date, time or period.

CodeList Summary (Total Codes: 364, Included: 3)

Code Name

137 Document/message date/time

Description: Date/time when a document/message is issued. This may include authentication.

158 Horizon start date

Description: The first date of a period forming a horizon.

159 Horizon end date

Description: The last date of a period forming a horizon.

DTM010-020	2380	Date/time/period	C	an	1/35	Cummins Mandatory
------------	------	------------------	---	----	------	-------------------

Description: The value of a date, a date and time, a time or of a period in a specified representation.

DTM010-030	2379	Date/time/period format qualifier	C	an	1/3	Cummins Mandatory
------------	------	-----------------------------------	---	----	-----	-------------------

Description: Specification of the representation of a date, a date and time or of a period.

CodeList Summary (Total Codes: 70, Included: 1)

Code Name

102 CCYMMDD

Description: Calendar date: C = Century ; Y = Year ; M = Month ; D = Day.

Segment Group 2

Pos: 0080	Repeat: 99
Conditional	
Group: 2	Elements: N/A

User Option (Usage): Cummins Mandatory

Cummins Note:

The NAD segment in Segment Group 2 will contain the supplier information.

Segment Group Summary:

<u>Pos</u>	<u>Tag</u>	<u>Segment Name</u>	<u>Status</u>	<u>Rep</u>	<u>Usage</u>
0090	NAD	NAME AND ADDRESS	M	1	Cummins Mandatory

NAD NAME AND ADDRESS

Pos: 0090	Max: 1
Mandatory	
Group: 2	Elements: 3

User Option (Usage): Cummins Mandatory

Cummins Note:

The value provided in the NAD020-010 Party ID element should be returned in the NAD+SF segment in the DESADV and in the INVOIC. This value may be different for every Cummins plant that you ship to.

Example EDI:

NAD+SU+123456CITY00::92++CUMMINS SUPPLIER
 or
 NAD+SU+123456::92++CUMMINS SUPPLIER
 or
 NAD+SU+123456-10001::92++CUMMINS SUPPLIER

Element Summary:

Ref	Tag	Element Name	Status	Type	Min/Max	Usage
NAD010	3035	Party qualifier	M	an	1/3	Cummins Mandatory

Description: Code giving specific meaning to a party.

CodeList Summary (Total Codes: 325, Included: 1)

Code Name

SU Supplier

Description: (3280) Party which manufactures or otherwise has possession of goods, and consigns or makes them available in trade.

NAD020	C082	PARTY IDENTIFICATION DETAILS	C	Comp		Cummins Mandatory
--------	------	-------------------------------------	---	------	--	-------------------

Description: Identification of a transaction party by code.

NAD020-010	3039	Party id. identification	M	an	1/35	Cummins Mandatory
------------	------	---------------------------------	---	----	------	-------------------

Description: Code identifying a party involved in a transaction.

Cummins Note: The value of the Party ID element will be the supplier code assigned by the Cummins plant you are shipping to.

NAD020-030	3055	Code list responsible agency, coded	C	an	1/3	Cummins Mandatory
------------	------	--	---	----	-----	-------------------

Description: Code identifying the agency responsible for a code list.

CodeList Summary (Total Codes: 195, Included: 1)

Code Name

92 Assigned by buyer or buyer's agent

Description: Self explanatory.

NAD040	C080	PARTY NAME	C	Comp		Cummins Mandatory
--------	------	-------------------	---	------	--	-------------------

Description: Identification of a transaction party by name, one to five lines. Party name

<u>Ref</u>	<u>Tag</u>	<u>Element Name</u>	<u>Status</u>	<u>Type</u>	<u>Min/Max</u>	<u>Usage</u>
NAD040-010	3036	Party name may be formatted.	M	an	1/35	Cummins Mandatory

Description: Name of a party involved in a transaction.

Segment Group 6

Pos: 0190	Repeat: 9999
Conditional	
Group: 6	Elements: N/A

User Option (Usage): Cummins Mandatory

Cummins Note:

Segment Group 6 will contain:

GIS segment

Segment Group 7: NAD+ST segment identifying the Cummins Ship-To location

Segment Group 12: All of the line items for that location

Segment Group 6 may be repeated if the DELFOR has multiple Ship-To locations.

Segment Group Summary:

<u>Pos</u>	<u>Tag</u>	<u>Segment Name</u>	<u>Status</u>	<u>Rep</u>	<u>Usage</u>
0200	GIS	GENERAL INDICATOR	M	1	Cummins Mandatory
0210		Segment Group 7	C	1	Cummins Mandatory
0370		Segment Group 12	C	9999	Cummins Mandatory

GIS GENERAL INDICATOR

Pos: 0200	Max: 1
Mandatory	
Group: 6	Elements: 1

User Option (Usage): Cummins Mandatory

Example EDI:

GIS+36
or
GIS+37

Element Summary:

<u>Ref</u>	<u>Tag</u>	<u>Element Name</u>	<u>Status</u>	<u>Type</u>	<u>Min/Max</u>	<u>Usage</u>
GIS010	C529	PROCESSING INDICATOR	M	Comp		Cummins Mandatory

Description: Type of process indication.

GIS010-010	7365	Processing indicator, coded	M	an	1/3	Cummins Mandatory
------------	------	-----------------------------	---	----	-----	-------------------

Description: Identifies the value to be attributed to indicators required by the processing system.

Cummins Note: When BGM030 = 4 (change code), the GIS010-010 value will be 36.

When BGM030 = 5 (replace code), the GIS010-010 value will be 37.

CodeList Summary (Total Codes: 68, Included: 2)

Code Name

36 Changed information

Description: Processing of information to note that only changes to existing data are transmitted.

37 Complete information

Description: Processing of information to note that complete data details (not just changes) are transmitted.

Segment Group 7

Pos: 0210	Repeat: 1
Conditional	
Group: 7	Elements: N/A

User Option (Usage): Cummins Mandatory

Cummins Note:

The NAD segment in Segment Group 7 will contain the Cummins Ship-To location information.

Segment Group Summary:

<u>Pos</u>	<u>Tag</u>	<u>Segment Name</u>	<u>Status</u>	<u>Rep</u>	<u>Usage</u>
0220	NAD	NAME AND ADDRESS	M	1	Cummins Mandatory

NAD NAME AND ADDRESS

Pos: 0220	Max: 1
Mandatory	
Group: 7	Elements: 8

User Option (Usage): Cummins Mandatory

Cummins Note:

The value provided in the NAD020-010 Party ID element should be returned in the NAD+ST segment in the DESADV and in the INVOIC. This value will be different for every Cummins plant that you ship to.

Example EDI:

NAD+ST+123456789::16++CUMMINS SHIP-TO PLANT+STREET 1:STREET 2:STREET3+CITY
NAME+STATE+ZIP CODE+COUNTRY

Element Summary:

Ref	Tag	Element Name	Status	Type	Min/Max	Usage
NAD010	3035	Party qualifier	M	an	1/3	Cummins Mandatory

Description: Code giving specific meaning to a party.

Cummins Note: NAD+BY will only be used by the Global Engine Exchange (GEX) group. DELFORs for any other Cummins plant will not include this.

CodeList Summary (Total Codes: 325, Included: 2)

Code Name

BY Buyer

Description: Party to which merchandise is sold.

ST Ship to

Description: Identification of the party to where goods will be or have been shipped.

NAD020	C082	PARTY IDENTIFICATION DETAILS	C	Comp		Cummins Mandatory
--------	------	------------------------------	---	------	--	-------------------

Description: Identification of a transaction party by code.

NAD020-010	3039	Party id. identification	M	an	1/35	Cummins Mandatory
------------	------	--------------------------	---	----	------	-------------------

Description: Code identifying a party involved in a transaction.

NAD020-030	3055	Code list responsible agency, coded	C	an	1/3	Cummins Mandatory
------------	------	-------------------------------------	---	----	-----	-------------------

Description: Code identifying the agency responsible for a code list.

CodeList Summary (Total Codes: 195, Included: 1)

Code Name

16 DUNS (Dun & Bradstreet)

Description: Self explanatory.

NAD040	C080	PARTY NAME	C	Comp		Cummins Mandatory
--------	------	------------	---	------	--	-------------------

Description: Identification of a transaction party by name, one to five lines. Party name may be formatted.

<u>Ref</u>	<u>Tag</u>	<u>Element Name</u>	<u>Status</u>	<u>Type</u>	<u>Min/Max</u>	<u>Usage</u>
NAD040-010	3036	Party name	M	an	1/35	Cummins Mandatory
		Description: Name of a party involved in a transaction.				
NAD050	C059	STREET	C	Comp		Cummins Optional
		Description: Street address and/or PO Box number in a structured address: one to three lines.				
NAD050-010	3042	Street and number/p.o. box	M	an	1/35	Cummins Optional
		Description: Street and number in plain language, or Post Office Box No.				
NAD050-020	3042	Street and number/p.o. box	C	an	1/35	Cummins Optional
		Description: Street and number in plain language, or Post Office Box No.				
NAD050-030	3042	Street and number/p.o. box	C	an	1/35	Cummins Optional
		Description: Street and number in plain language, or Post Office Box No.				
NAD060	3164	City name	C	an	1/35	Cummins Optional
		Description: Name of a city (a town, a village) for addressing purposes.				
NAD070	3229	Country sub-entity identification	C	an	1/9	Cummins Optional
		Description: Identification of the name of sub-entities (state, province) defined by appropriate governmental agencies.				
NAD080	3251	Postcode identification	C	an	1/9	Cummins Optional
		Description: Code defining postal zones or addresses.				
NAD090	3207	Country, coded	C	an	1/3	Cummins Optional
		Description: Identification of the name of a country or other geographical entity as specified in ISO 3166.				

Segment Group 12

Pos: 0370	Repeat: 9999
Conditional	
Group: 12	Elements: N/A

User Option (Usage): Cummins Mandatory

Cummins Note:

Segment Group 12 will be repeated for each part number with demand. Part numbers with no demand will not appear on this schedule.

Segment Group 12 will contain:

- LIN segment
- IMD segment
- LOC segment
- Segment Group 13: RFF segments
- Segment Group 15: QTY and DTM segments
- Segment Group 16: RFF segment
- Segment Group 17: SCC segment
- Segment Group 18: QTY and DTM segments
- Segment Group 19: RFF segment

Segment Group Summary:

<u>Pos</u>	<u>Tag</u>	<u>Segment Name</u>	<u>Status</u>	<u>Rep</u>	<u>Usage</u>
0380	LIN	LINE ITEM	M	1	Cummins Mandatory
0400	IMD	ITEM DESCRIPTION	C	10	Cummins Mandatory
0450	LOC	PLACE/LOCATION IDENTIFICATION	C	999	Cummins Mandatory
0480		Segment Group 13	C	10	Cummins Mandatory
0540		Segment Group 15	C	10	Cummins Mandatory
0600		Segment Group 17	C	999	Cummins Mandatory

LIN LINE ITEM

Pos: 0380	Max: 1
Mandatory	
Group: 12	Elements: 2

User Option (Usage): Cummins Mandatory

Example EDI:

LIN+1++PART NUMBER 1:IN

Element Summary:

<u>Ref</u>	<u>Tag</u>	<u>Element Name</u>	<u>Status</u>	<u>Type</u>	<u>Min/Max</u>	<u>Usage</u>
LIN010	1082	Line item number	C	an	1/6	Cummins Mandatory

Description: Serial number designating each separate item within a series of articles.

Cummins Note: This is a unique reference number for each LIN segment created.

LIN030	C212	ITEM NUMBER IDENTIFICATION	C	Comp		Cummins Mandatory
--------	------	----------------------------	---	------	--	-------------------

Description: Goods identification for a specified source.

LIN030-010	7140	Item number	C	an	1/35	Cummins Mandatory
------------	------	-------------	---	----	------	-------------------

Description: A number allocated to a group or item.

Cummins Note: Cummins part number

LIN030-020	7143	Item number type, coded	C	an	1/3	Cummins Mandatory
------------	------	-------------------------	---	----	-----	-------------------

Description: Identification of the type of item number.

CodeList Summary (Total Codes: 86, Included: 1)

Code Name

IN Buyer's item number

Description: Self explanatory.

IMD ITEM DESCRIPTION

Pos: 0400	Max: 10
Conditional	
Group: 12	Elements: 2

User Option (Usage): Cummins Mandatory

Example EDI:

IMD+F+:::ITEM DESCRIPTION

Element Summary:

<u>Ref</u>	<u>Tag</u>	<u>Element Name</u>	<u>Status</u>	<u>Type</u>	<u>Min/Max</u>	<u>Usage</u>
IMD010	7077	Item description type, coded	C	an	1/3	Cummins Mandatory

Description: Code indicating the format of a description.

CodeList Summary (Total Codes: 8, Included: 1)

Code Name

F Free-form

Description: Self explanatory.

IMD030	C273	ITEM DESCRIPTION	C	Comp		Cummins Mandatory
--------	------	------------------	---	------	--	-------------------

Description: Description of an item.

IMD030-040	7008	Item description	C	an	1/35	Cummins Mandatory
------------	------	------------------	---	----	------	-------------------

Description: Plain language description of articles or products.

Cummins Note: Cummins part description

LOC PLACE/LOCATION IDENTIFICATION

Pos: 0450	Max: 999
Conditional	
Group: 12	Elements: 2

User Option (Usage): Cummins Mandatory

Example EDI:

LOC+7+123

Element Summary:

Ref	Tag	Element Name	Status	Type	Min/Max	Usage
LOC010	3227	Place/location qualifier	M	an	1/3	Cummins Mandatory

Description: Code identifying the function of a location.

CodeList Summary (Total Codes: 169, Included: 1)

Code Name

7 Place of delivery

Description: (3246) Place to which the goods are to be finally delivered under transport contract terms (operational term).

LOC020	C517	LOCATION IDENTIFICATION	C	Comp		Cummins Mandatory
--------	------	-------------------------	---	------	--	-------------------

Description: Identification of a location by code or name.

LOC020-010	3225	Place/location identification	C	an	1/25	Cummins Mandatory
------------	------	-------------------------------	---	----	------	-------------------

Description: Identification of the name of place/location, other than 3164 City name.

Cummins Note: Cummins uses the Plant Receiving Location number (3 digit number).

Segment Group 13

Pos: 0480	Repeat: 10
Conditional	
Group: 13	Elements: N/A

User Option (Usage): Cummins Mandatory

Cummins Note:

Segment Group 13 will always contain a RFF segment with the Cummins Purchase Order Number.

Segment Group Summary:

<u>Pos</u>	<u>Tag</u>	<u>Segment Name</u>	<u>Status</u>	<u>Rep</u>	<u>Usage</u>
0490	RFF	REFERENCE	M	1	Cummins Mandatory

RFF REFERENCE

Pos: 0490	Max: 1
Mandatory	
Group: 13	Elements: 1

User Option (Usage): Cummins Mandatory

Cummins Note:

RFF+ON will always be included.
 RFF+AEQ and RFF+AAL may be included.

Example EDI:

RFF+ON:9999999
 RFF+AEQ:001
 RFF+AAL:1700000
 RFF+AAL:1700001
 RFF+AAL:1700002

Element Summary:

<u>Ref</u>	<u>Tag</u>	<u>Element Name</u>	<u>Status</u>	<u>Type</u>	<u>Min/Max</u>	<u>Usage</u>
RFF010	C506	REFERENCE	M	Comp		Cummins Mandatory

Description: Identification of a reference.

RFF010-010	1153	Reference qualifier	M	an	1/3	Cummins Mandatory
------------	------	---------------------	---	----	-----	-------------------

Description: Code giving specific meaning to a reference segment or a reference number.

CodeList Summary (Total Codes: 504, Included: 3)

Code Name

ON Order number (purchase)

Description: Reference number assigned by the buyer to an order.

AAL Drawing number

Description: Reference number identifying a specific product drawing.

AEQ Drawing list number

Description: Reference number identifying a drawing list.

RFF010-020	1154	Reference number	C	an	1/35	Cummins Mandatory
------------	------	------------------	---	----	------	-------------------

Description: Identification number the nature and function of which can be qualified by an entry in data element 1153 Reference qualifier.

Cummins Note:

RFF010-020 Codes:

Code	Cummins Description	Usage
ON	Cummins Purchase Order Number	Always included
AEQ	Cummins Drawing Revision Number	Optional
AAL	Cummins Drawing	Optional

<u>Ref</u>	<u>Tag</u>	<u>Element Name</u>	<u>Status</u>	<u>Type</u>	<u>Min/Max</u>	<u>Usage</u>
				Number		

Segment Group 15

Pos: 0540	Repeat: 10
Conditional	
Group: 15	Elements: N/A

User Option (Usage): Cummins Mandatory

Cummins Note:

Segment Group 15 will contain information about the last receipt and cumulative quantities.

Last receipt information will appear only if there has been a receipt.

Cumulative quantities are reset to 0 at the beginning of each year by each plant. Check with your Cummins materials planners for specific dates. Cumulative quantity, QTY+3, and cumulative quantity start and end dates will always be included even when the quantity is 0.

Segment Group 15 will contain:
 QTY segments
 DTM segments
 Segment Group 16: RFF segment

Example EDI:

```
QTY+48:8000:EA
DTM+50:20150330:102
RFF+SI:22222222
QTY+3:50000:EA
DTM+51:20150101:102
DTM+52:20150405:102
```

Segment Group Summary:

<u>Pos</u>	<u>Tag</u>	<u>Segment Name</u>	<u>Status</u>	<u>Rep</u>	<u>Usage</u>
0550	QTY	QUANTITY	M	1	Cummins Mandatory
0560	DTM	DATE/TIME/PERIOD	C	2	Cummins Mandatory
0570		Segment Group 16	C	10	Cummins Optional

QTY QUANTITY

Pos: 0550	Max: 1
Mandatory	
Group: 15	Elements: 1

User Option (Usage): Cummins Mandatory

Cummins Note:

Last receipt information will appear only if there has been a receipt.

Cumulative quantities are reset to 0 at the beginning of each year by each plant. Check with your Cummins materials planners for specific dates. Cumulative quantity, QTY+3, will always be included even when the quantity is 0.

Example EDI:

Last received quantity example:

QTY+48:8000:EA

Cumulative quantity example:

QTY+3:50000:EA

Element Summary:

<u>Ref</u>	<u>Tag</u>	<u>Element Name</u>	<u>Status</u>	<u>Type</u>	<u>Min/Max</u>	<u>Usage</u>
QTY010	C186	QUANTITY DETAILS	M	Comp		Cummins Mandatory

Description: Quantity information in a transaction, qualified when relevant.

QTY010-010	6063	Quantity qualifier	M	an	1/3	Cummins Mandatory
------------	------	---------------------------	---	----	-----	-------------------

Description: Code giving specific meaning to a quantity.

CodeList Summary (Total Codes: 199, Included: 2)

Code Name

3 Cumulative quantity

Description: Self explanatory.

48 Received quantity

Description: The quantity which has been received.

QTY010-020	6060	Quantity	M	n	1/15	Cummins Mandatory
------------	------	-----------------	---	---	------	-------------------

Description: Numeric value of a quantity.

Cummins Note:

If QTY 010-010 = 3, the value will be the year-to-date quantity received.

If QTY 010-010 = 48, the value will be the last receipt quantity.

QTY010-030	6411	Measure unit qualifier	C	an	1/3	Cummins Mandatory
------------	------	-------------------------------	---	----	-----	-------------------

Description: Indication of the unit of measurement in which weight (mass), capacity, length, area, volume or other quantity is expressed.

Cummins Note: When creating a DESADV and/or INVOIC, you must return the

<u>Ref</u>	<u>Tag</u>	<u>Element Name</u>	<u>Status</u>	<u>Type</u>	<u>Min/Max</u>	<u>Usage</u>
		same unit of measure that was provided.				

DTM DATE/TIME/PERIOD

Pos: 0560	Max: 2
Conditional	
Group: 15	Elements: 1

User Option (Usage): Cummins Mandatory

Cummins Note:

Last receipt information will appear only if there has been a receipt.

Cumulative quantity start and end dates will always be included even when the quantity is 0.

Example EDI:

Last received date example:

DTM+50:20170330:102

Cumulative quantity start and end dates example:

DTM+51:20170101:102

DTM+52:20171130:102

Element Summary:

Ref	Tag	Element Name	Status	Type	Min/Max	Usage
DTM010	C507	DATE/TIME/PERIOD	M	Comp		Cummins Mandatory

Description: Date and/or time, or period relevant to the specified date/time/period type.

DTM010-010	2005	Date/time/period qualifier	M	an	1/3	Cummins Mandatory
------------	------	----------------------------	---	----	-----	-------------------

Description: Code giving specific meaning to a date, time or period.

CodeList Summary (Total Codes: 364, Included: 3)

Code Name

- 50 Goods receipt date/time
Description: Date/time upon which the goods were received by a given party.
- 51 Cumulative quantity start date
Description: First Date for accumulation of delivery quantities.
- 52 Cumulative quantity end date
Description: Last Date for accumulation of delivery quantities.

DTM010-020	2380	Date/time/period	C	an	1/35	Cummins Mandatory
------------	------	------------------	---	----	------	-------------------

Description: The value of a date, a date and time, a time or of a period in a specified representation.

Cummins Note:

If DTM010-010 = 50, this value will be the Last Receipt Date.

If DTM010-010 = 51, this value will be the year-to-date Start Date.

If DTM010-010 = 52, this value will be the year-to-date End Date.

DTM010-030	2379	Date/time/period format qualifier	C	an	1/3	Cummins
------------	------	-----------------------------------	---	----	-----	---------

<u>Ref</u>	<u>Tag</u>	<u>Element Name</u>	<u>Status</u>	<u>Type</u>	<u>Min/Max</u>	<u>Usage</u>
------------	------------	---------------------	---------------	-------------	----------------	--------------

Description: Specification of the representation of a date, a date and time or of a period.

CodeList Summary (Total Codes: 70, Included: 1)

Code Name

102 CCYMMDD

Description: Calendar date: C = Century ; Y = Year ; M = Month ; D = Day.

Segment Group 16

Pos: 0570	Repeat: 10
Conditional	
Group: 16	Elements: N/A

User Option (Usage): Cummins Optional

Cummins Note:

Segment Group 16 will contain a RFF segment with the last Despatch Advice or Advance Ship Notice (ASN) number. This segment group may not always be included. It will vary by each Cummins plant.

Example EDI:

RFF+SI:22222222

Segment Group Summary:

<u>Pos</u>	<u>Tag</u>	<u>Segment Name</u>	<u>Status</u>	<u>Rep</u>	<u>Usage</u>
0580	RFF	REFERENCE	M	1	Cummins Mandatory

RFF REFERENCE

Pos: 0580	Max: 1
Mandatory	
Group: 16	Elements: 1

User Option (Usage): Cummins Mandatory

Cummins Note:

This segment may not always be included. It will vary by each Cummins plant.

Example EDI:

RFF+SI:22222222

Element Summary:

<u>Ref</u>	<u>Tag</u>	<u>Element Name</u>	<u>Status</u>	<u>Type</u>	<u>Min/Max</u>	<u>Usage</u>
RFF010	C506	REFERENCE	M	Comp		Cummins Mandatory

Description: Identification of a reference.

RFF010-010	1153	Reference qualifier	M	an	1/3	Cummins Mandatory
------------	------	---------------------	---	----	-----	-------------------

Description: Code giving specific meaning to a reference segment or a reference number.

CodeList Summary (Total Codes: 504, Included: 1)

Code Name

SI SID (Shipper's identifying number for shipment)

Description: Description to be provided.

RFF010-020	1154	Reference number	C	an	1/35	Cummins Mandatory
------------	------	------------------	---	----	------	-------------------

Description: Identification number the nature and function of which can be qualified by an entry in data element 1153 Reference qualifier.

Cummins Note: Last Despatch Advice or Advance Ship Notice (ASN) number received by the Cummins plant.

Segment Group 17

Pos: 0600 Repeat: 999
 Conditional
 Group: 17 Elements: N/A

User Option (Usage): Cummins Mandatory

Cummins Note:

Segment Group 17 will contain scheduled demand: Immediate (past due), Firm, and Forecasted/Planned. The supplier must ensure their system does not 'auto firm' the forecasted/planned demand, as this is subject to change.

Segment Group 17 will contain:
 SCC segment
 Segment Group 18: QTY and DTM segments
 Segment Group 19: RFF segment

Example EDI:

```

SCC+10++D
QTY+1:2000
DTM+2:20170501:102
SCC+1++D
QTY+1:3000
DTM+2:20170513:102
RFF+RE:111
SCC+4++D
QTY+1:2000
DTM+2:20170618:102
    
```

Segment Group Summary:

<u>Pos</u>	<u>Tag</u>	<u>Segment Name</u>	<u>Status</u>	<u>Rep</u>	<u>Usage</u>
0610	SCC	SCHEDULING CONDITIONS	M	1	Cummins Mandatory
0620		Segment Group 18	C	999	Cummins Mandatory

SCC SCHEDULING CONDITIONS

Pos: 0610	Max: 1
Mandatory	
Group: 17	Elements: 2

User Option (Usage): Cummins Mandatory

Cummins Note:

This segment will identify the type of demand: Immediate (past due), Firm, and Forecasted/Planned. The supplier must ensure their system does not 'auto firm' the forecasted/planned demand, as this is subject to change.

Example EDI:

Immediate (past due) demand:

SCC+10++D

Firm demand:

SCC+1++D

Forecasted/planned demand:

SCC+4++D

Element Summary:

Ref	Tag	Element Name	Status	Type	Min/Max	Usage
SCC010	4017	Delivery plan status indicator, coded	M	an	1/3	Cummins Mandatory

Description: Code indicating the level of commitment of schedule information.

CodeList Summary (Total Codes: 23, Included: 3)

Code Name

- 1 Firm
Description: Indicates that the scheduling information is a firm commitment.
- 4 Forecasted/Planned
Description: Self explanatory.
- 10 Immediate (past due)
Description: Indicates that the scheduling information is for immediate execution.

SCC030	C329	PATTERN DESCRIPTION	C	Comp		Cummins Mandatory
--------	------	---------------------	---	------	--	-------------------

Description: Shipment, delivery or production interval pattern and timing.

SCC030-010	2013	Frequency, coded	C	an	1/3	Cummins Mandatory
------------	------	------------------	---	----	-----	-------------------

Description: Code specifying interval grouping of the delivery, production, etc. of the schedule.

CodeList Summary (Total Codes: 14, Included: 1)

<u>Code</u>	<u>Name</u>
D	Discrete

Segment Group 18

Pos: 0620	Repeat: 999
Conditional	
Group: 18	Elements: N/A

User Option (Usage): Cummins Mandatory

Cummins Note:

Segment Group 18 will contain quantity and dates for the demand. The date could be either a ship date or a due date. Please consult your materials planner at each plant to determine what dates are used.

Segment Group 18 will contain:

- QTY segments
- DTM segments
- Segment Group 19: RFF segment

Segment Group Summary:

<u>Pos</u>	<u>Tag</u>	<u>Segment Name</u>	<u>Status</u>	<u>Rep</u>	<u>Usage</u>
0630	QTY	QUANTITY	M	1	Cummins Mandatory
0640	DTM	DATE/TIME/PERIOD	C	2	Cummins Mandatory
0650		Segment Group 19	C	10	Cummins Optional

QTY QUANTITY

Pos: 0630	Max: 1
Mandatory	
Group: 18	Elements: 1

User Option (Usage): Cummins Mandatory

Cummins Note:

When creating a DESADV and/or INVOIC, you must return the same unit of measure that was provided in the Segment Group 15 QTY010-030.

Example EDI:

QTY+1:2000

Element Summary:

<u>Ref</u>	<u>Tag</u>	<u>Element Name</u>	<u>Status</u>	<u>Type</u>	<u>Min/Max</u>	<u>Usage</u>
QTY010	C186	QUANTITY DETAILS	M	Comp		Cummins Mandatory
Description: Quantity information in a transaction, qualified when relevant.						
QTY010-010	6063	Quantity qualifier	M	an	1/3	Cummins Mandatory
Description: Code giving specific meaning to a quantity.						
CodeList Summary (Total Codes: 199, Included: 1)						
Code Name						
1 Discrete quantity						
Description: Self explanatory.						
QTY010-020	6060	Quantity	M	n	1/15	Cummins Mandatory
Description: Numeric value of a quantity.						
QTY010-030	6411	Measure unit qualifier	C	an	1/3	Cummins Optional
Description: Indication of the unit of measurement in which weight (mass), capacity, length, area, volume or other quantity is expressed.						

DTM DATE/TIME/PERIOD

Pos: 0640	Max: 2
Conditional	
Group: 18	Elements: 1

User Option (Usage): Cummins Mandatory

Example EDI:

DTM+2:20170501:102

Element Summary:

<u>Ref</u>	<u>Tag</u>	<u>Element Name</u>	<u>Status</u>	<u>Type</u>	<u>Min/Max</u>	<u>Usage</u>
DTM010	C507	DATE/TIME/PERIOD	M	Comp		Cummins Mandatory

Description: Date and/or time, or period relevant to the specified date/time/period type.

DTM010-010	2005	Date/time/period qualifier	M	an	1/3	Cummins Mandatory
------------	------	----------------------------	---	----	-----	-------------------

Description: Code giving specific meaning to a date, time or period.

Cummins Note: The date could be either a ship date or a due date. Please consult your materials planner at each plant to determine what dates are used.

CodeList Summary (Total Codes: 364, Included: 1)

Code Name

2 Delivery date/time, requested

Description: Date on which buyer requests goods to be delivered.

DTM010-020	2380	Date/time/period	C	an	1/35	Cummins Mandatory
------------	------	------------------	---	----	------	-------------------

Description: The value of a date, a date and time, a time or of a period in a specified representation.

DTM010-030	2379	Date/time/period format qualifier	C	an	1/3	Cummins Mandatory
------------	------	-----------------------------------	---	----	-----	-------------------

Description: Specification of the representation of a date, a date and time or of a period.

CodeList Summary (Total Codes: 70, Included: 1)

Code Name

102 CCYYMMDD

Description: Calendar date: C = Century ; Y = Year ; M = Month ; D = Day.

Segment Group 19

Pos: 0650	Repeat: 10
Conditional	
Group: 19	Elements: N/A

User Option (Usage): Cummins Optional

Cummins Note:

Segment Group 19 will contain the release number. This group will only be used by those Cummins plants that require a release number assigned to each scheduled quantity and date.

Segment Group Summary:

<u>Pos</u>	<u>Tag</u>	<u>Segment Name</u>	<u>Status</u>	<u>Rep</u>	<u>Usage</u>
0660	RFF	REFERENCE	M	1	Cummins Mandatory

RFF REFERENCE

Pos: 0660	Max: 1
Mandatory	
Group: 19	Elements: 1

User Option (Usage): Cummins Mandatory

Cummins Note:

This segment will only be used by those Cummins plants that require a release number assigned to each scheduled quantity and date. If used, this should be returned in the DESADV and INVOIC. The release number will always be a numeric value.

Example EDI:

RFF+RE:111

Element Summary:

Ref	Tag	Element Name	Status	Type	Min/Max	Usage
RFF010	C506	REFERENCE	M	Comp		Cummins Mandatory

Description: Identification of a reference.

RFF010-010	1153	Reference qualifier	M	an	1/3	Cummins Mandatory
------------	------	---------------------	---	----	-----	-------------------

Description: Code giving specific meaning to a reference segment or a reference number.

CodeList Summary (Total Codes: 504, Included: 2)

Code Name

CO Buyers order number

Description: [1022] Reference number assigned by the buyer to an order.

RE Release number

Description: Reference number assigned to identify a release of a set of rules, conventions, conditions, etc.

RFF010-020	1154	Reference number	C	an	1/35	Cummins Mandatory
------------	------	------------------	---	----	------	-------------------

Description: Identification number the nature and function of which can be qualified by an entry in data element 1153 Reference qualifier.

Cummins Note: The release number will always be a numeric value.

UNT MESSAGE TRAILER

Pos: 1030	Max: 1
Mandatory	
Group: N/A	Elements: 2

User Option (Usage): Cummins Mandatory

Example EDI:

UNT+89+1

Element Summary:

<u>Ref</u>	<u>Tag</u>	<u>Element Name</u>	<u>Status</u>	<u>Type</u>	<u>Min/Max</u>	<u>Usage</u>
UNT010	0074	Number of segments in a message	M	n	1/6	Cummins Mandatory
		Description: Control count of number of segments in a message.				
UNT020	0062	Message reference number	M	an	1/14	Cummins Mandatory

Description: Unique message reference assigned by the sender.

Cummins Note: This will be the same message reference number as in the UNH segment.

UNZ INTERCHANGE TRAILER

Pos:	Max: 1
Mandatory	
Group: N/A	Elements: 2

User Option (Usage): Cummins Mandatory

Example EDI:

UNZ+1+1

Element Summary:

<u>Ref</u>	<u>Tag</u>	<u>Element Name</u>	<u>Status</u>	<u>Type</u>	<u>Min/Max</u>	<u>Usage</u>
UNZ010	0036	Interchange control count	M	n	1/6	Cummins Mandatory
		Description: Count either of the number of messages or, if used, of the number of functional groups in an interchange.				
UNZ020	0020	Interchange control reference	M	an	1/14	Cummins Mandatory

Description: Unique reference assigned by the sender to an interchange.

Cummins Note: This will be the same interchange control reference number as in the UNB segment.